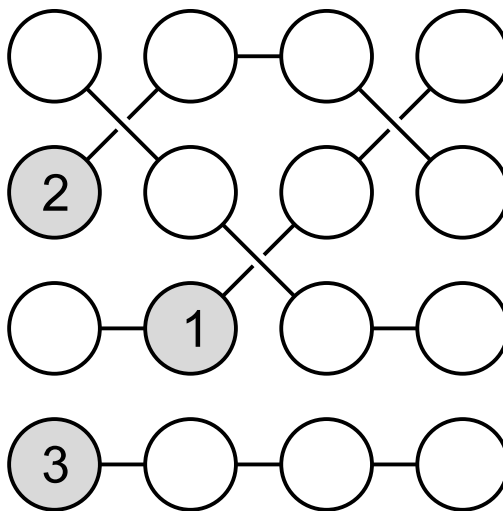




your streamy logic

Smart-Kit Easy Strimko #1



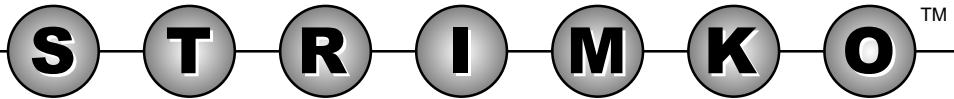
Made specially for Smart-Kit  www.smart-kit.com

Posted: December, 2008

more STRIMKO at www.strimko.com

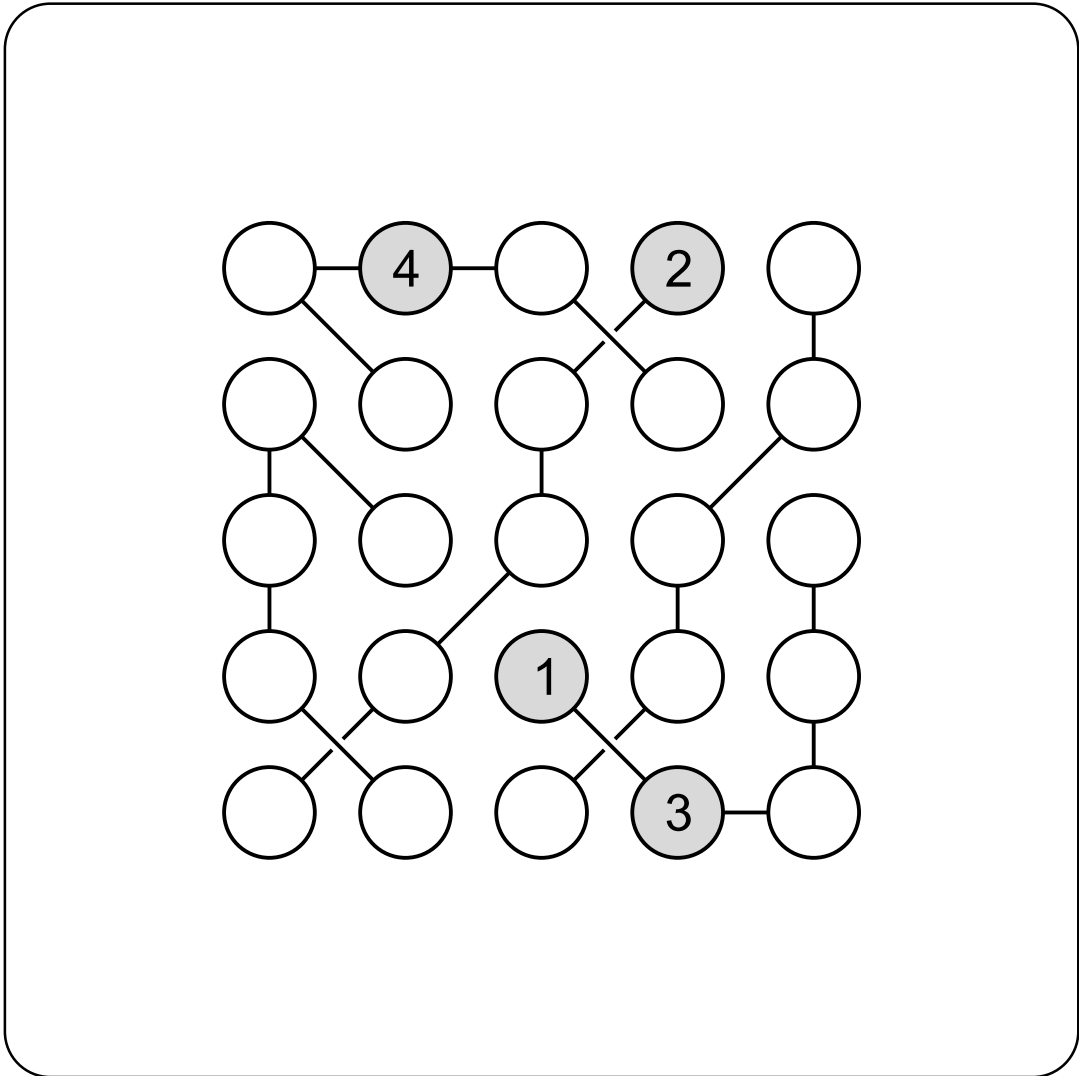
© The Grabarchuk Family. All Rights Reserved.

Permission is granted for personal use only. This puzzle may not be duplicated for any kind of profit.



your streamy logic

Smart-Kit Medium Strimko #1



Made specially for Smart-Kit  www.smart-kit.com

Posted: December, 2008

more STRIMKO at www.strimko.com

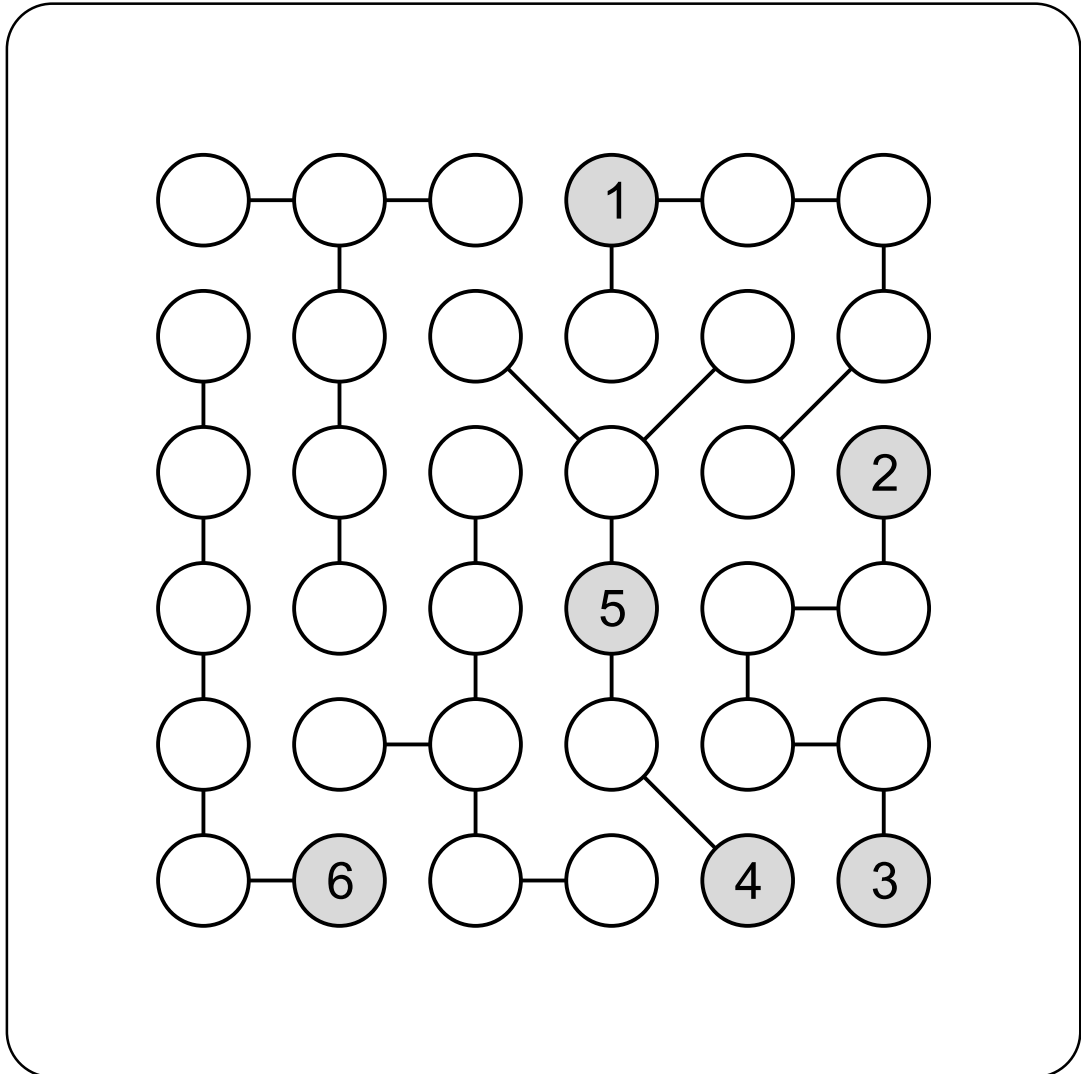
© The Grabarchuk Family. All Rights Reserved.

Permission is granted for personal use only. This puzzle may not be duplicated for any kind of profit.

S T R I M K O™

your streamy logic

Smart-Kit Hard Strimko #1



Made specially for Smart-Kit  www.smart-kit.com

Posted: December, 2008

more STRIMKO at www.strimko.com

© The Grabarchuk Family. All Rights Reserved.

Permission is granted for personal use only. This puzzle may not be duplicated for any kind of profit.